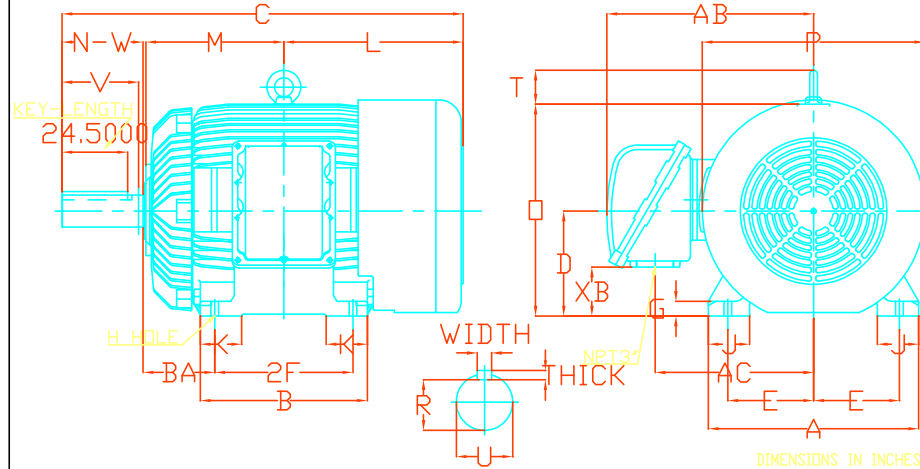


OUTLINE DIMENSIONS

3-PHASE INDUCTION MOTOR

| TYPE | OUTPUT | | POLE | TIME RATING | VOLTAGE V | Hz | SYN.SPEED R.P.M. |
|------|--------|-----|------|-------------|-----------|----|------------------|
| | HP. | KW. | | | | | |
| PX | - | | 4 | CONT. | - | - | - |

TOTALLY ENCLOSED FAN-COOLED TYPE, SQUIRREL-CAGE ROTOR



| FRAME SIZE | MOUNTING | | | | A | B | C | D | G | J | K |
|-----------------|----------|-------|-----------|------|----------------|--------------------|--------|---------|------------------|-------|------|
| | E | 2F | H | BA | | | | | | | |
| 444T | 9.00 | 14.50 | 0.81 | 7.50 | 22.05 | 17.50 | 42.05 | 11.00 | 1.55 | 4.35 | 4.35 |
| L | M | D | P | T | KEY | | | KEYSEAT | TERMINAL HOUSING | | |
| | | | | | WIDTH | THICK | LENGTH | R | AB | AC | XB |
| 18.80 | 14.45 | 22.25 | 23.30 | 3.55 | 0.875 | 0.875 | 6.89 | 2.880 | 21.65 | 16.60 | 5.15 |
| SHAFT EXTENSION | | | BEARINGS | | | APPROX. WEIGHT LBS | | | | | |
| N-W | U | V | DRIVE END | | OPP. DRIVE END | | | | | | |
| 8.50 | 3.375 | 8.00 | NU318 | | 6318 | 1600 | | | | | |

- NOTE: 1. DIMENSION D TOLERANCE: +0.00INCH, -0.06INCH
 2. DIMENSION U TOLERANCE: +0.000INCH, -0.001INCH
 3. DIMENSION R TOLERANCE: +0.000INCH, -0.015INCH
 4. DIMENSION V IS THE LENGTH OF STRAIGHT PART OF SHAFT
 5. F CLASS INSULATION, S.F. 1.15
 6. FOR DIRECT FLEXIBLE COUPLING
 7. UL EXPLOSION PROOF
 8. SUITABLE FOR DIVISION I, CLASS I, GROUP D, T2D
 CLASS II, GROUP E,F,G T3B
 9. WITH THERMOSTAT: N.C. 145°C 3PCS

| | | | |
|-----------------------|--|--|---------|
| | | | |
| | | | |
| | | | |
| BROOK CROMPTON | | | DWG NO. |